

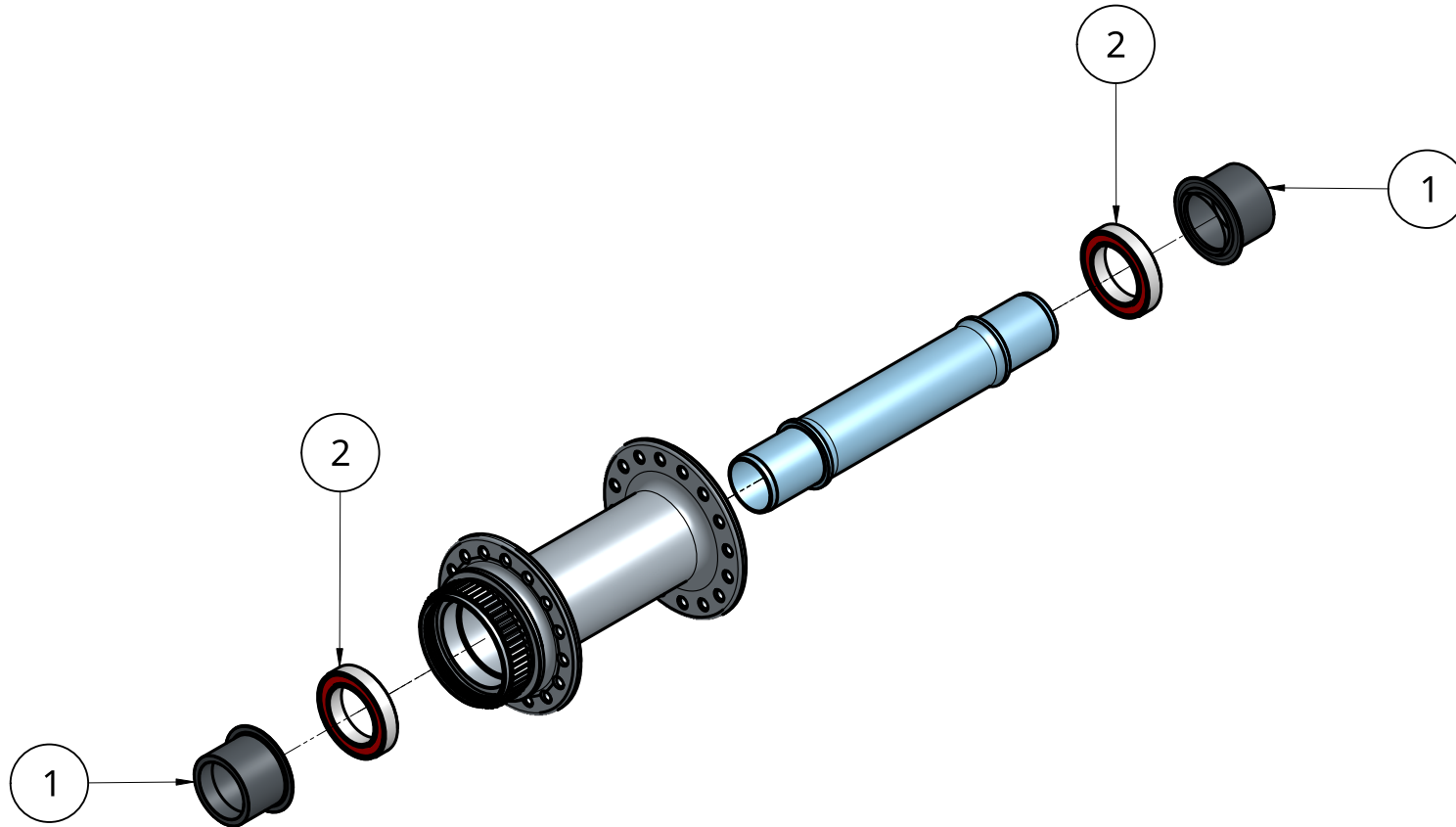
NEWMEN BASIC front hub spare parts

POS	ITEM	Description
1	89710	NEWMEN Endcap Set 15mm
3	89702	NEWMEN Bearing 17x26x5 Red

Recommended tools for hub service:
 90166 - NEWMEN Endcap Removal Tool 2
 90153 - NEWMEN Hub Tooling Set V2

spare parts are suited for Centerlock
 and 6Bolt front hubs with laser logo:

BASIC



NEWMEN		MG-Components GmbH & Co. KG Am Mühlbach 5c 87487 Wiggensbach Germany	
DO NOT SCALE DRAWING	SIZE: A4	SCALE: 1:2	SHEET 1 of 3
Alle Informationen unter Vorbehalt. Wir behalten uns Änderungen vor All information subject to change. We reserve the right to make changes			drawing date: 2024-07-31

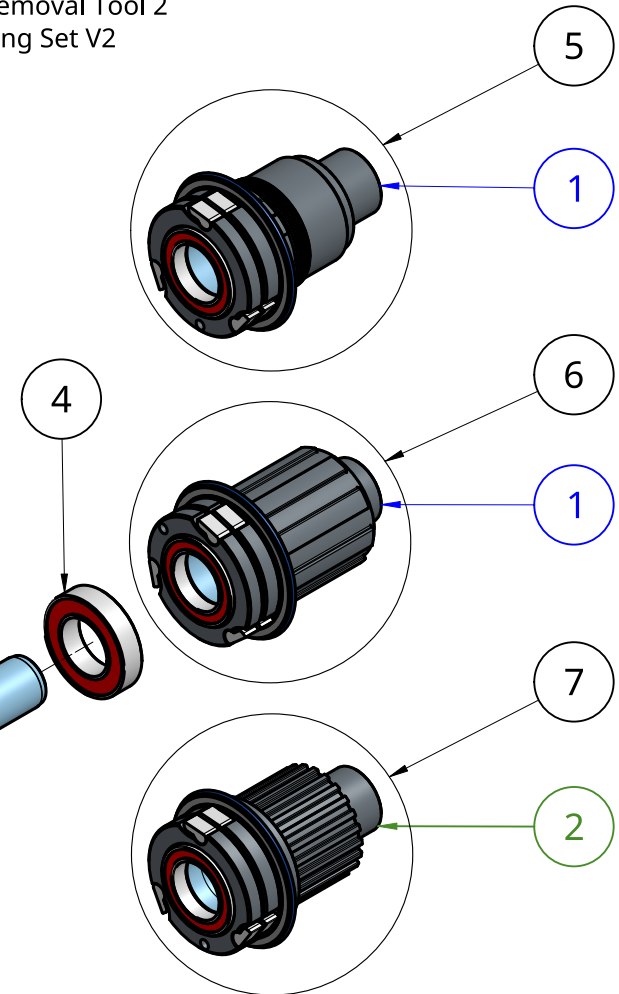
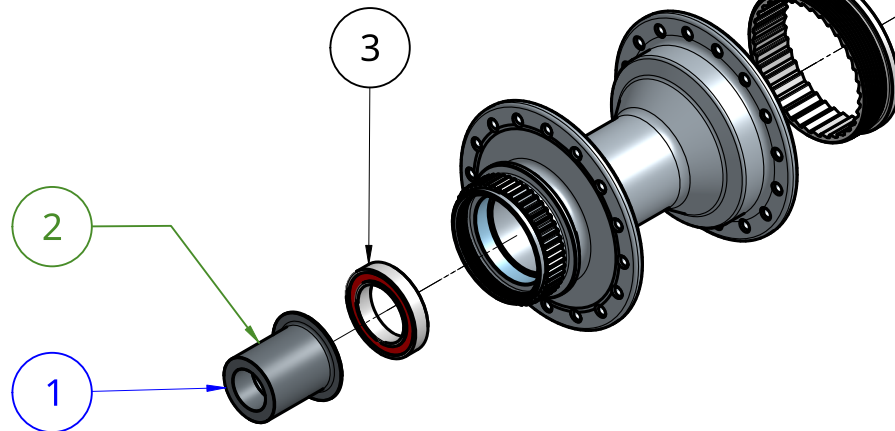
NEWMEN BASIC rear hub spare parts

POS	ITEM	Description
1	89711	NEWMEN Endcap Set 12 mm XD SH
2	89712	NEWMEN Endcap Set 12 mm MS
3	89702	NEWMEN Bearing 17x26x5 Red
4	89703	NEWMEN Bearing 17x30x7 Red
5	89707	NEWMEN BASIC Freewheel Set XD
6	89708	NEWMEN BASIC Freewheel Set SH
7	89709	NEWMEN BASIC Freewheel Set MS

spare parts are suited for Centerlock and 6Bolt rear hubs with laser logo:

BASIC

Recommended tools for hub service:
 90166 - NEWMEN Endcap Removal Tool 2
 90153 - NEWMEN Hub Tooling Set V2



detailed freewheel explode sheet 3

NEWMEN		MG-Components GmbH & Co. KG Am Mühlbach 5c 87487 Wiggensbach Germany	
DO NOT SCALE DRAWING	SIZE: A4	SCALE: 1:2	SHEET 2 of 3
Alle Informationen unter Vorbehalt. Wir behalten uns Änderungen vor All information subject to change. We reserve the right to make changes			drawing date: 2024-07-31

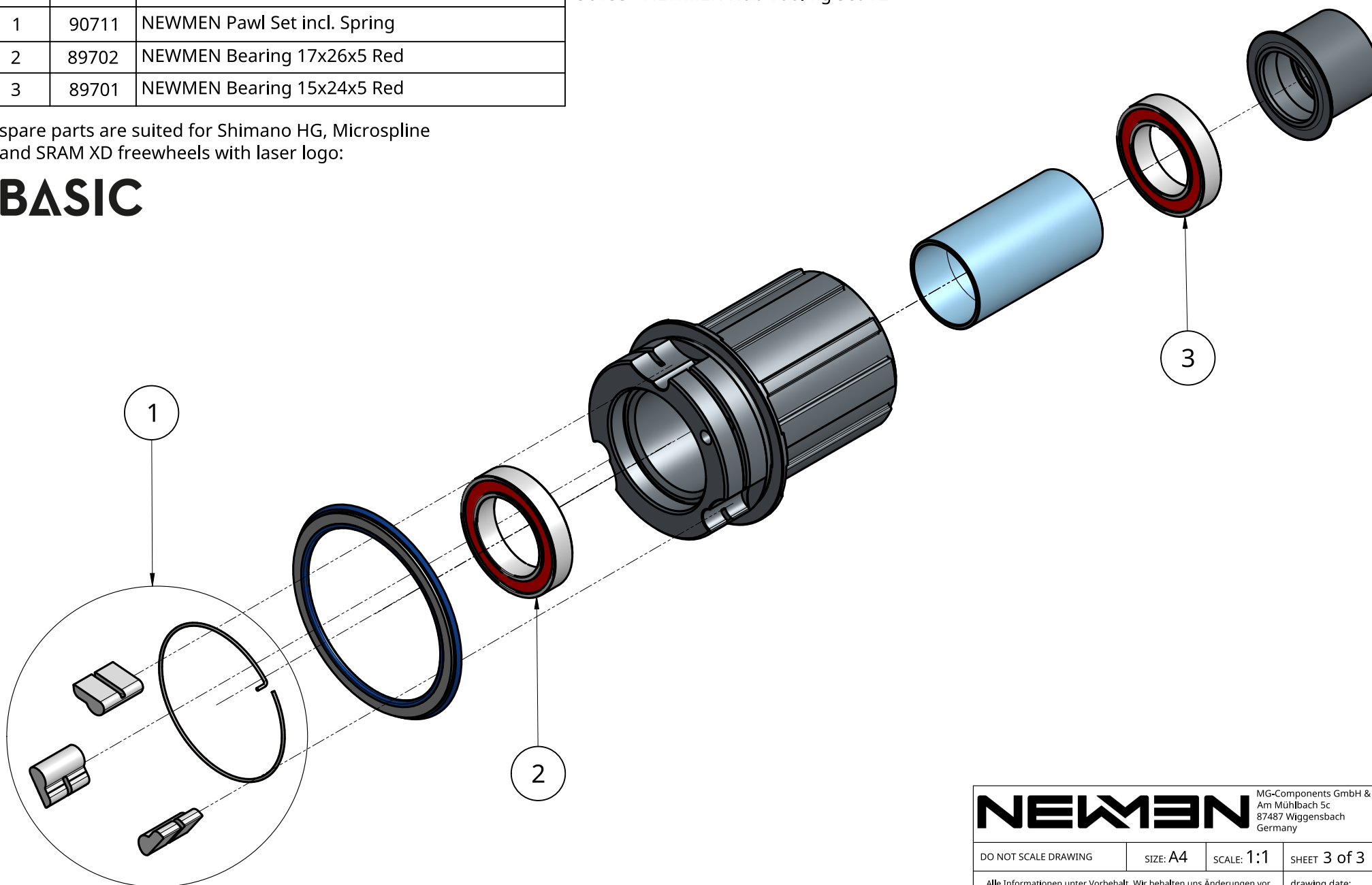
NEWMEN freewheel BASIC spare parts

POS	ITEM	Description
1	90711	NEWMEN Pawl Set incl. Spring
2	89702	NEWMEN Bearing 17x26x5 Red
3	89701	NEWMEN Bearing 15x24x5 Red

Recommended tools for hub service:
 90166 - NEWMEN Endcap Removal Tool 2
 90153 - NEWMEN Hub Tooling Set V2

spare parts are suited for Shimano HG, Microspline and SRAM XD freewheels with laser logo:

BASIC



NEWMEN		MG-Components GmbH & Co. KG Am Mühlbach 5c 87487 Wiggensbach Germany	
DO NOT SCALE DRAWING	SIZE: A4	SCALE: 1:1	SHEET 3 of 3
Alle Informationen unter Vorbehalt. Wir behalten uns Änderungen vor All information subject to change. We reserve the right to make changes			drawing date: 2024-07-31